

AR 350 | 450



COMMERCIAL REMOTE CONDENSER

CONSTRUCTION CHARACTERISTICS

- ~ 8 mm O.D. seamless copper tube expanded into aluminium fins
- ~ casing in white pre-coated aluminium and galvanized steel or inox on request
- ~ 230V/1F/50Hz motorfans
- ~ on request:
 - protective treatment of coils

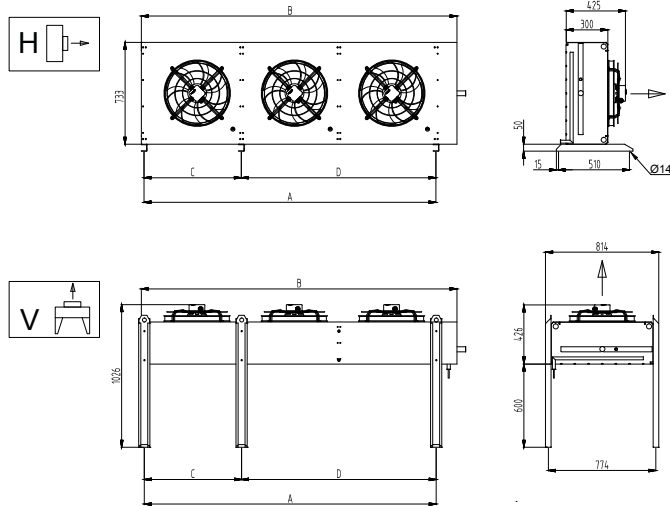
CONDENSATORI REMOTI COMMERCIALI

CARATTERISTICHE COSTRUTTIVE

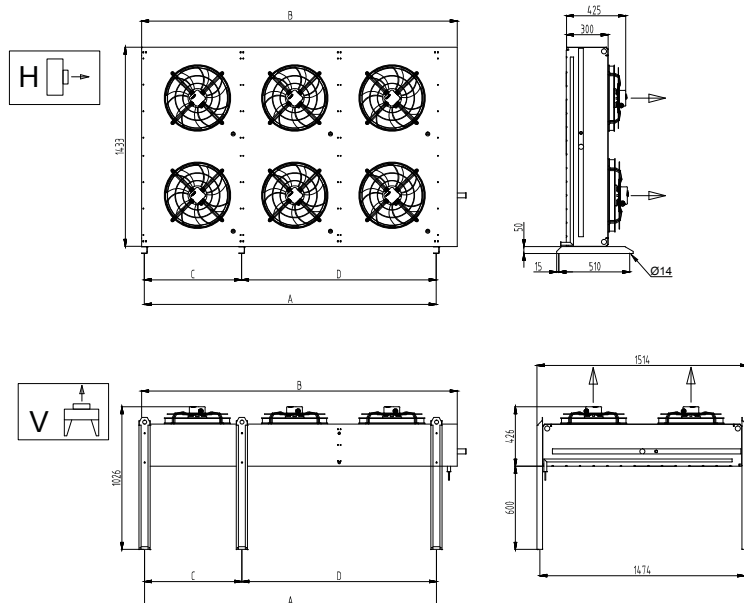
- ~ batteria realizzata con tubo di rame \varnothing 8 mm ed aletta di alluminio
- ~ involucro in alluminio pre verniciato e lamiera zincata bianca o inox su richiesta
- ~ motoventilatori 230V/1F/50Hz
- ~ a richiesta possibilità di:
 - trattamenti protettivi della batteria

Model Modello	Nominal Capacity Potenza nominale $\Delta T=15K$ $T_{air} 25^{\circ}C$	Air Flow Portata aria	Surface Superficie	Internal Volume Volume interno	N° x Ø			Motorfan power consumption Assorbimento motoventilatori 230V/1F/50Hz	Noise level Rumorosità dB(A)	Weight Peso	Connection Connessioni			
AR 450	kW	m³/h	m²	dm³		rpm	Feed	A	Kw	10 m	5 m	kg	IN/OUT Ø mm	
rpm 1350														
AR45	ARV411B21S230S	12.94	4971	23	2	1 x 450	1350	230 - 1 - 50	1.20	0,25	49 / 10	54 / 5	51	35/22
AR45	ARV411C21S230S	17.01	4786	34	3	1 x 450	1350	230 - 1 - 50	1.20	0,25	49 / 10	54 / 5	55	35/22
AR45	ARV411D21S230S	19.86	4605	46	4	1 x 450	1350	230 - 1 - 50	1.20	0,25	49 / 10	54 / 5	59	35/22
AR45	ARV412B21S230S	26.14	9941	46	4	2 x 450	1350	230 - 1 - 50	2.40	0,50	52 / 10	57 / 5	89	35/22
AR45	ARV412C21S230S	34.41	9572	68	6	2 x 450	1350	230 - 1 - 50	2.40	0,50	52 / 10	57 / 5	98	35/22
AR45	ARV412D21S230S	39.86	9210	91	8	2 x 450	1350	230 - 1 - 50	2.40	0,50	52 / 10	57 / 5	106	35/22
AR45	ARV413B21S230S	39.82	14912	68	6	3 x 450	1350	230 - 1 - 50	3.60	0,75	54 / 10	59 / 5	128	35/22
AR45	ARV413C21S230S	51.40	14359	103	9	3 x 450	1350	230 - 1 - 50	3.60	0,75	54 / 10	59 / 5	140	35/22
AR45	ARV413D21S230S	59.89	13816	137	11	3 x 450	1350	230 - 1 - 50	3.60	0,75	54 / 10	59 / 5	153	35/22
AR45	ARV414B21S230S	52.28	19883	91	8	4 x 450	1350	230 - 1 - 50	4.80	1,00	54 / 10	60 / 5	166	35/22
AR45	ARV414C21S230S	67.89	19145	137	11	4 x 450	1350	230 - 1 - 50	4.80	1,00	54 / 10	60 / 5	183	35/22
AR45	ARV414D21S230S	78.34	18421	182	15	4 x 450	1350	230 - 1 - 50	4.80	1,00	54 / 10	60 / 5	199	42/28
AR45	ARV421B21S230S	26.09	9922	45	4	2 x 450	1350	230 - 1 - 50	2.40	0,50	52 / 10	57 / 5	100	35/22
AR45	ARV421C21S230S	33.82	9545	67	6	2 x 450	1350	230 - 1 - 50	2.40	0,50	52 / 10	57 / 5	108	35/22
AR45	ARV421D21S230S	39.34	9172	90	9	2 x 450	1350	230 - 1 - 50	2.40	0,50	52 / 10	57 / 5	117	35/22
AR45	ARV422B21S230S	52.17	19845	90	8	4 x 450	1350	230 - 1 - 50	4.80	1,00	54 / 10	60 / 5	174	35/22
AR45	ARV422C21S230S	68.19	19089	134	12	4 x 450	1350	230 - 1 - 50	4.80	1,00	54 / 10	60 / 5	190	35/22
AR45	ARV422D21S230S	78.92	18344	179	16	4 x 450	1350	230 - 1 - 50	4.80	1,00	54 / 10	60 / 5	207	42/28
AR45	ARV423B21S230S	78.26	29767	134	11	6 x 450	1350	230 - 1 - 50	7.20	1,50	56 / 10	62 / 5	247	42/28
AR45	ARV423C21S230S	101.77	28634	201	17	6 x 450	1350	230 - 1 - 50	7.20	1,50	56 / 10	62 / 5	272	42/28
AR45	ARV423D21S230S	118.65	27516	269	23	6 x 450	1350	230 - 1 - 50	7.20	1,50	56 / 10	62 / 5	297	54/35
AR45	ARV424B21S230S	104.35	39689	179	15	8 x 450	1350	230 - 1 - 50	9.60	2,00	57 / 10	62 / 5	321	42/28
AR45	ARV424C21S230S	134.41	38178	269	23	8 x 450	1350	230 - 1 - 50	9.60	2,00	57 / 10	62 / 5	354	54/35
AR45	ARV424D21S230S	158.69	36688	358	30	8 x 450	1350	230 - 1 - 50	9.60	2,00	57 / 10	62 / 5	386	54/35
rpm 920														
AR45	ARV411B21L230S	9.83	2981	23	2	1 x 450	920	230 - 1 - 50	0.75	0,15	38 / 10	43 / 5	51	35/22
AR45	ARV411C21L230S	12.16	2872	34	3	1 x 450	920	230 - 1 - 50	0.75	0,15	38 / 10	43 / 5	55	35/22
AR45	ARV411D21L230S	13.96	2762	46	4	1 x 450	920	230 - 1 - 50	0.75	0,15	38 / 10	43 / 5	59	35/22
AR45	ARV412B21L230S	19.46	5962	46	4	2 x 450	920	230 - 1 - 50	1.50	0,30	41 / 10	46 / 5	89	35/22
AR45	ARV412C21L230S	24.88	5743	68	6	2 x 450	920	230 - 1 - 50	1.50	0,30	41 / 10	46 / 5	98	35/22
AR45	ARV412D21L230S	28.04	5525	91	8	2 x 450	920	230 - 1 - 50	1.50	0,30	41 / 10	46 / 5	106	35/22
AR45	ARV413B21L230S	29.78	8943	68	6	3 x 450	920	230 - 1 - 50	2.25	0,45	43 / 10	48 / 5	128	35/22
AR45	ARV413C21L230S	37.35	8615	103	9	3 x 450	920	230 - 1 - 50	2.25	0,45	43 / 10	48 / 5	140	35/22
AR45	ARV413D21L230S	42.06	8287	137	11	3 x 450	920	230 - 1 - 50	2.25	0,45	43 / 10	48 / 5	153	35/22
AR45	ARV414B21L230S	38.98	11924	91	8	4 x 450	920	230 - 1 - 50	3.00	0,60	43 / 10	49 / 5	166	35/22
AR45	ARV414C21L230S	49.80	11487	137	11	4 x 450	920	230 - 1 - 50	3.00	0,60	43 / 10	49 / 5	183	35/22
AR45	ARV414D21L230S	56.08	11049	182	15	4 x 450	920	230 - 1 - 50	3.00	0,60	43 / 10	49 / 5	199	35/22
AR45	ARV421B21L230S	19.56	5949	45	4	2 x 450	920	230 - 1 - 50	1.50	0,30	41 / 10	46 / 5	100	35/22
AR45	ARV421C21L230S	24.56	5727	67	6	2 x 450	920	230 - 1 - 50	1.50	0,30	41 / 10	46 / 5	108	35/22
AR45	ARV421D21L230S	27.68	5503	90	9	2 x 450	920	230 - 1 - 50	1.50	0,30	41 / 10	46 / 5	117	35/22
AR45	ARV422B21L230S	39.26	11899	90	8	4 x 450	920	230 - 1 - 50	3.00	0,60	43 / 10	49 / 5	174	35/22
AR45	ARV422C21L230S	49.36	11455	134	12	4 x 450	920	230 - 1 - 50	3.00	0,60	43 / 10	49 / 5	190	35/22
AR45	ARV422D21L230S	55.60	11007	179	16	4 x 450	920	230 - 1 - 50	3.00	0,60	43 / 10	49 / 5	207	35/22
AR45	ARV423B21L230S	59.04	17848	134	11	6 x 450	920	230 - 1 - 50	4.50	0,90	45 / 10	51 / 5	247	35/22
AR45	ARV423C21L230S	74.09	17182	201	17	6 x 450	920	230 - 1 - 50	4.50	0,90	45 / 10	51 / 5	272	42/28
AR45	ARV423D21L230S	83.41	16510	269	23	6 x 450	920	230 - 1 - 50	4.50	0,90	45 / 10	51 / 5	297	42/28
AR45	ARV424B21L230S	77.18	23798	179	15	8 x 450	920	230 - 1 - 50	6.00	1,20	46 / 10	51 / 5	321	42/28
AR45	ARV424C21L230S	98.78	22909	269	23	8 x 450	920	230 - 1 - 50	6.00	1,20	46 / 10	51 / 5	354	42/28
AR45	ARV424D21L230S	111.21	22013	358	30	8 x 450	920	230 - 1 - 50	6.00	1,20	46 / 10	51 / 5	386	42/28

Modello Model		A	B	C	D
AR-4 11		700	870	-	-
AR-4 12		1400	1570	-	-
AR-4 13		2100	2270	-	-
AR-4 14		2800	2970	-	-
AR-4 15		3500	3670	1400	2100



Modello Model		A	B	C	D
AR-4 21		700	870	-	-
AR-4 22		1400	1570	-	-
AR-4 23		2100	2270	-	-
AR-4 24		2800	2970	-	-
AR-4 25		3500	3670	1400	2100



AR 450